

SERVICE PARTS LIST FOR MITSUBISHI ELECTRIC PACKAGED AIR-CONDITIONERS

Series : PURY-(E)P·Y(S)JM-A(-BS)

For use with the R410A

Sept. 2010

BWE10110

INDEX

PURY-P200YJM-A(-BS)
PURY-P250YJM-A(-BS)
PURY-P300YJM-A(-BS)
PURY-P350YJM-A(-BS)
PURY-P400YJM-A(-BS)
PURY-P450YJM-A(-BS)
PURY-EP200YJM-A(-BS)
PURY-EP250YJM-A(-BS)
PURY-EP300YJM-A(-BS)
PURY-EP350YJM-A(-BS)

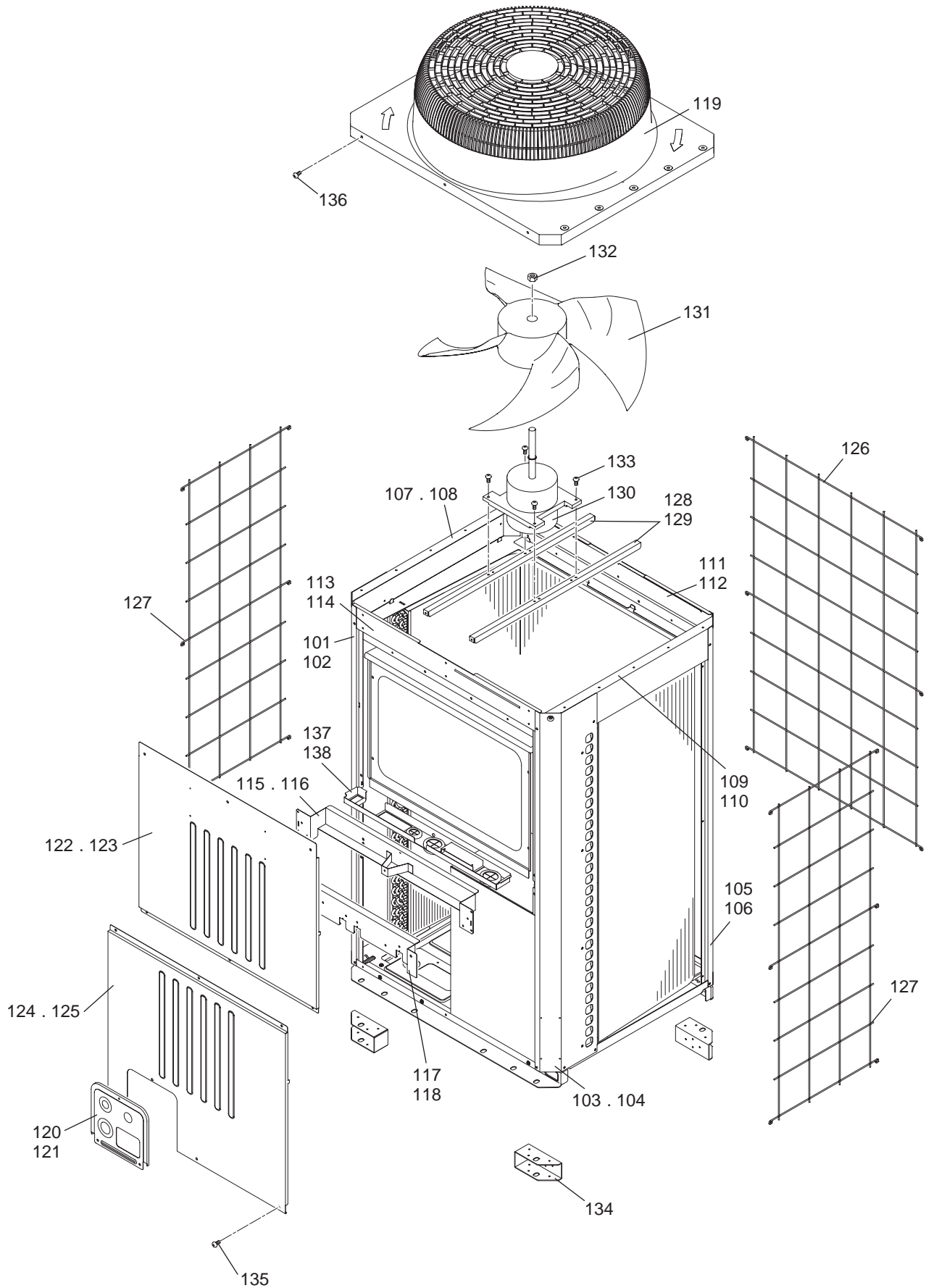
Refer to the next page for the package names.

The Package name list

PURY-P400YSJM-A1(-BS)	[PURY-P200YJM-A(-BS)+PURY-P200YJM-A(-BS)]
PURY-P450YSJM-A1(-BS)	[PURY-P250YJM-A(-BS)+PURY-P200YJM-A(-BS)]
PURY-P500YSJM-A(-BS)	[PURY-P250YJM-A(-BS)+PURY-P250YJM-A(-BS)]
PURY-P500YSJM-A1(-BS)	[PURY-P300YJM-A(-BS)+PURY-P200YJM-A(-BS)]
PURY-P550YSJM-A(-BS)	[PURY-P300YJM-A(-BS)+PURY-P250YJM-A(-BS)]
PURY-P600YSJM-A(-BS)	[PURY-P300YJM-A(-BS)+PURY-P300YJM-A(-BS)]
PURY-P600YSJM-A1(-BS)	[PURY-P350YJM-A(-BS)+PURY-P250YJM-A(-BS)]
PURY-P650YSJM-A(-BS)	[PURY-P350YJM-A(-BS)+PURY-P300YJM-A(-BS)]
PURY-P700YSJM-A(-BS)	[PURY-P400YJM-A(-BS)+PURY-P300YJM-A(-BS)]
PURY-P700YSJM-A1(-BS)	[PURY-P350YJM-A(-BS)+PURY-P350YJM-A(-BS)]
PURY-P750YSJM-A(-BS)	[PURY-P400YJM-A(-BS)+PURY-P350YJM-A(-BS)]
PURY-P800YSJM-A(-BS)	[PURY-P400YJM-A(-BS)+PURY-P400YJM-A(-BS)]
PURY-P800YSJM-A1(-BS)	[PURY-P450YJM-A(-BS)+PURY-P350YJM-A(-BS)]
PURY-P850YSJM-A(-BS)	[PURY-P450YJM-A(-BS)+PURY-P400YJM-A(-BS)]
PURY-P900YSJM-A(-BS)	[PURY-P450YJM-A(-BS)+PURY-P450YJM-A(-BS)]
PURY-EP400YSJM-A(-BS)	[PURY-EP200YJM-A(-BS)+PURY-EP200YJM-A(-BS)]
PURY-EP450YSJM-A(-BS)	[PURY-EP250YJM-A(-BS)+PURY-EP200YJM-A(-BS)]
PURY-EP500YSJM-A(-BS)	[PURY-EP300YJM-A(-BS)+PURY-EP200YJM-A(-BS)]
PURY-EP500YSJM-A1(-BS)	[PURY-EP250YJM-A(-BS)+PURY-EP250YJM-A(-BS)]
PURY-EP550YSJM-A(-BS)	[PURY-EP300YJM-A(-BS)+PURY-EP250YJM-A(-BS)]
PURY-EP600YSJM-A(-BS)	[PURY-EP300YJM-A(-BS)+PURY-EP300YJM-A(-BS)]
PURY-EP600YSJM-A1(-BS)	[PURY-EP350YJM-A(-BS)+PURY-EP250YJM-A(-BS)]
PURY-EP650YSJM-A(-BS)	[PURY-EP350YJM-A(-BS)+PURY-EP300YJM-A(-BS)]
PURY-EP700YSJM-A(-BS)	[PURY-EP350YJM-A(-BS)+PURY-EP350YJM-A(-BS)]

PURY-P200,P250,P300YJM-A(-BS)
PURY-EP200YJM-A(-BS)

EXTERNAL PARTS & BLOWER PARTS (1)



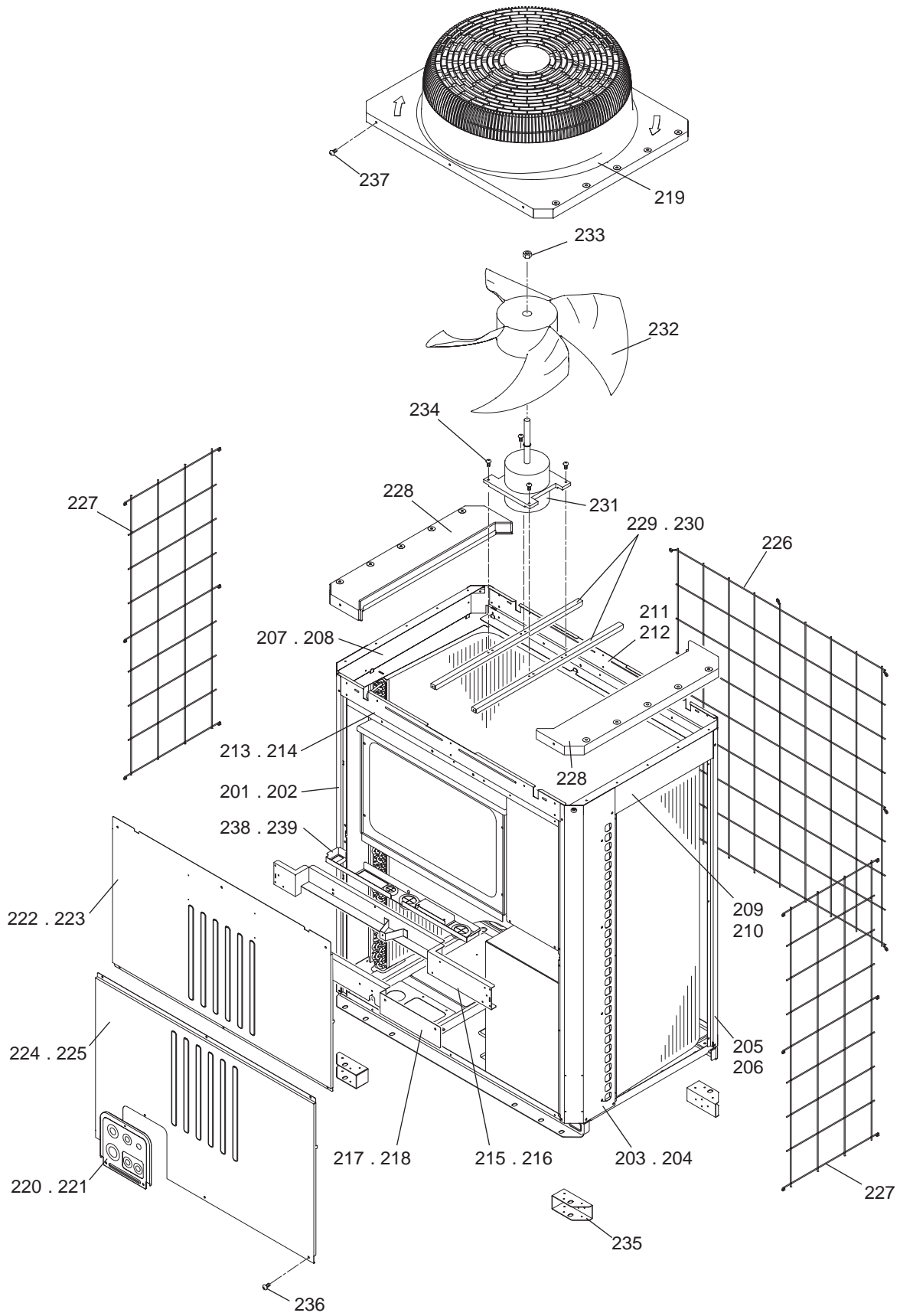
PURY-P200,P250,P300YJM-A(-BS)
PURY-EP200YJM-A(-BS)

EXTERNAL PARTS & BLOWER PARTS (1)

No.	Part No.	G : RoHS Apply Only W : RoHS Apply by Running Change		Spec.	PURY-P200YJM-A	PURY-P200YJM-A-BS	PURY-P250YJM-A	PURY-P250YJM-A-BS	PURY-P300YJM-A	PURY-P300YJM-A-BS	Dwg. No.	Notes for the models	Revision info.
			Part Name										
101	R11 019 626	G	Pillar LF		1		1		1		KB02A011G07		
102	R11 020 626	G	Pillar LF	BS		1		1		1	KB02A011G08		
103	R11 014 626	G	Pillar RF		1		1		1		KB02A012G07		
104	R11 015 626	G	Pillar RF	BS		1		1		1	KB02A012G08		
105	R63 002 627	G	Pillar B		2		2		2		KB02A013G07		
106	R63 003 627	G	Pillar B	BS		2		2		2	KB02A013G08		
107	R63 038 162	G	Frame assy L		1		1		1		KB00C163G09		
108	R63 040 162	G	Frame assy L	BS		1		1		1	KB00C163G10		
109	R63 039 162	G	Frame assy R		1		1		1		KB00C164G09		
110	R63 041 162	G	Frame assy R	BS		1		1		1	KB00C164G10		
111	R63 001 216	G	Frame assy B		1		1		1		KB00C162G07		
112	R63 002 216	G	Frame assy B	BS		1		1		1	KB00C162G08		
113	R63 004 668	G	Frame F		1		1		1		KB02J208H01		
114	R63 005 668	G	Frame FB	BS		1		1		1	KB02J208G02		
115	R63 013 111	G	Frame assy MU		1		1		1		KB00C887G01		
116	R63 014 162	G	Frame assy MU	BS		1		1		1	KB00C887G07		
117	R63 016 111	G	Frame assy MB		1		1		1		KB00L774G01		
118	R63 015 162	G	Frame assy MB	BS		1		1		1	KB00L774G07		
119	R63 4H6 118	G	Fan guard		1	1	1	1	1	1	KB25A008G02		
120	R61 088 690	G	Piping cover	R2	1		1		1		KB02L001G05		
121	R61 089 690	G	Piping cover	R2 BS		1		1		1	KB02L001G06		
122	R61 050 651	G	Panel FU		1		1		1		KB02B379H01		
123	R63 4H8 651	G	Panel FU	BS		1		1		1	KB02B379G02		
124	R61 003 652	G	Panel FB	YHM-A	1		1		1		KB02B392H02		
125	R61 004 652	G	Panel FB	YHM-A BS		1		1		1	KB02B392G03		
126	R63 004 611	G	Fin guard B		1	1	1	1	1	1	KB07T208G01		
127	R61 007 611	G	Fin guard LR		2	2	2	2	2	2	KB07C043G03		
128	R63 4H6 140	G	Base fan		2		2		2		KB02D050H01		
129	R63 4H7 140	G	Base fan	BS		2		2		2	KB02D050G01		
130	R61 119 220	G	Motor	EEOK-IOTV 920W	1	1	1	1	1	1	P780162X01		
131	R63 4H6 300	G	Fan		1	1	1	1	1	1	KB25A009H02		
132	R63 4H6 122	G	Box nut	M12 CH	1	1	1	1	1	1	P552000X01		
133	R63 014 087	G	Upset Screw	6x10	4	4	4	4	4	4	P516047X01		
134	R61 016 130	G	Attachment leg		4	4	4	4	4	4	KB02T248G01		
135	R63 007 087	G	H Screw	5x10 KNURLED (30pcs)	3	3	3	3	3	3	KB00H418G14		
136	R63 006 087	G	WFT Screw	5x12 (30pcs)	2	2	2	2	2	2	KB00H418G01		
137	R61 021 260	G	Snow guard assy		1		1		1		KB00M950G06		
138	R61 T01 260	G	Snow guard assy			1		1		1	KB00M950G09		

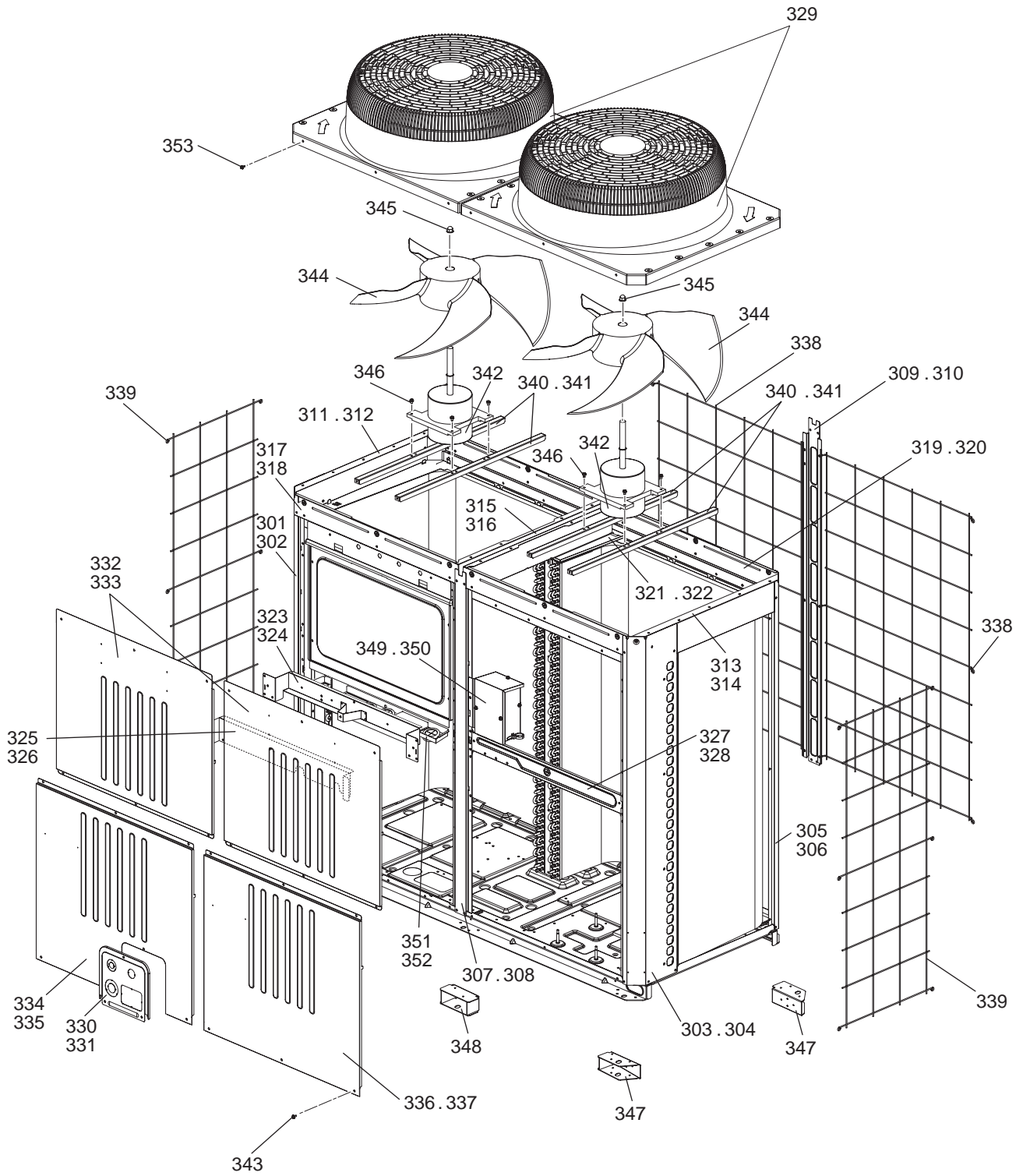
PURY-P350,P400YJM-A(-BS)
PURY-EP250,EP300YJM-A(-BS)

EXTERNAL PARTS & BLOWER PARTS (2)



PURY-P450YJM-A(-BS)
PURY-EP350YJM-A(-BS)

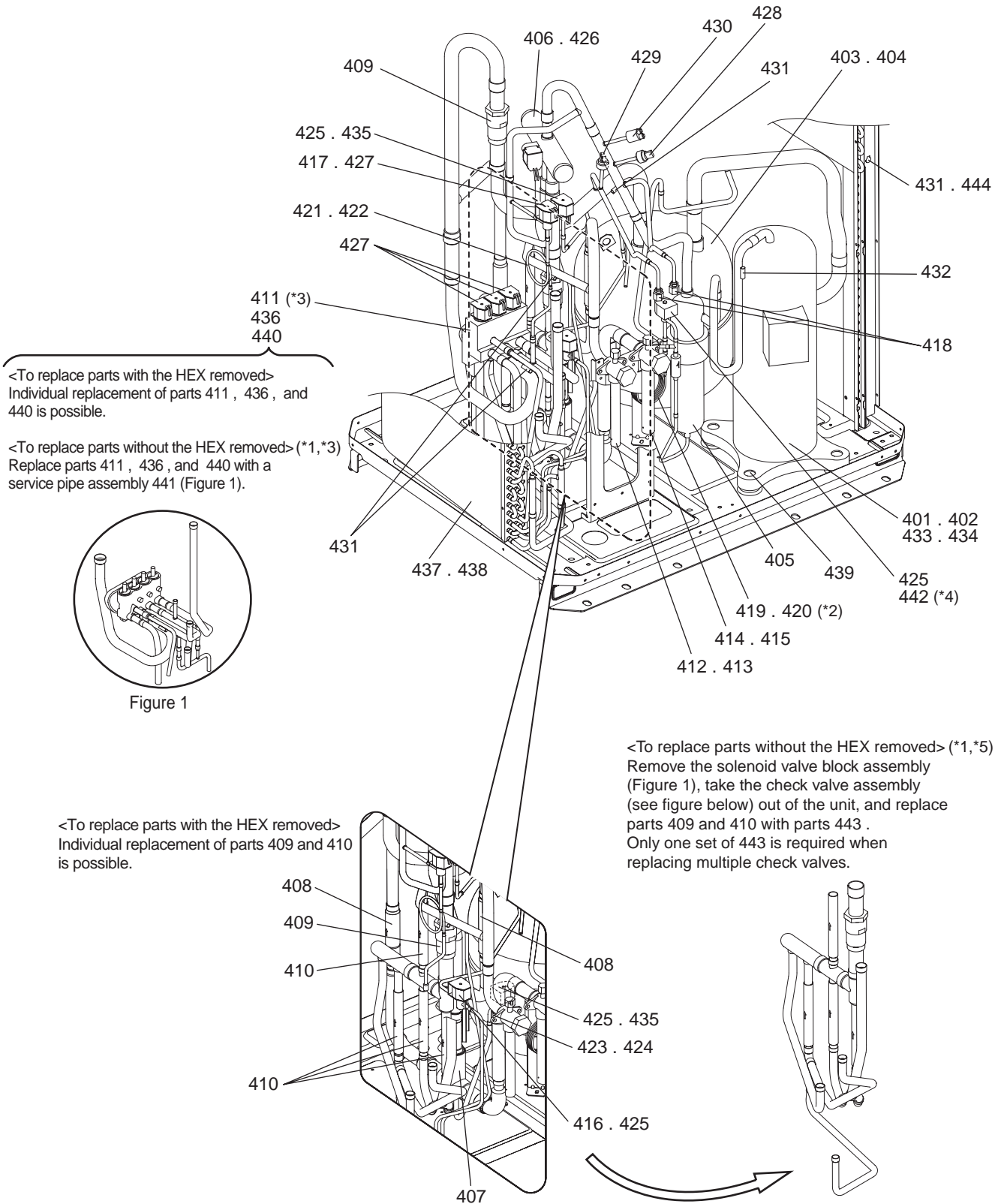
EXTERNAL PARTS & BLOWER PARTS (3)



PURY-P450YJM-A(-BS)
PURY-EP350YJM-A(-BS)

EXTERNAL PARTS & BLOWER PARTS (3)

No.	Part No.	G : RoHS Apply Only W : RoHS Apply by Running Change		Spec.	PURY-P450YJM-A	PURY-P450YJM-A-BS	PURY-EP350YJM-A	PURY-EP350YJM-A-BS	Dwg. No.	Notes for the models	Revision info.
			Part Name								
301	R61 009 626	G	Pillar LF	XL	1	1			KB02A011G09		
302	R61 010 626	G	Pillar LF	XL BS		1	1		KB02A011G10		
303	R11 014 626	G	Pillar RF		1	1			KB02A012G07		
304	R11 015 626	G	Pillar RF	BS		1	1		KB02A012G08		
305	R63 002 627	G	Pillar B		2	2			KB02A013G07		
306	R63 003 627	G	Pillar B	BS		2	2		KB02A013G08		
307	R61 015 626	G	Pillar assy MF		1	1			KD00C356G03		
308	R61 016 626	G	Pillar assy MF	BS		1	1		KD00C356G04		
309	R61 011 626	G	Pillar MB		1	1			KB02A263G01		
310	R61 012 626	G	Pillar MB	BS		1	1		KB02A263G02		
311	R63 038 162	G	Frame assy L		1	1			KB00C163G09		
312	R63 040 162	G	Frame assy L	BS		1	1		KB00C163G10		
313	R63 039 162	G	Frame assy R		1	1			KB00C164G09		
314	R63 041 162	G	Frame assy R	BS		1	1		KB00C164G10		
315	R61 054 162	G	Frame M		1	1			KD00G287G01		
316	R61 055 162	G	Frame M	BS		1	1		KD00G287G02		
317	R61 048 162	G	Frame F	XL	1	1			KB02A264H01		
318	R61 049 162	G	Frame FB	XL BS		1	1		KB02A264G02		
319	R61 042 162	G	Frame assy B	XL	1	1			KD00C265G01		
320	R61 043 162	G	Frame assy B	XL BS		1	1		KD00C265G02		
321	R61 003 499	G	Plate HEX assy	XL	1	1			KB00T714G01		
322	R61 004 499	G	Plate HEX assy	XL BS		1	1		KB00T714G02		
323	R63 013 111	G	Frame assy MU		1	1			KB00C887G01		
324	R63 014 162	G	Frame assy MU	BS		1	1		KB00C887G07		
325	R63 016 111	G	Frame assy MB		1	1			KB00L774G01		
326	R63 015 162	G	Frame assy MB	BS		1	1		KB00L774G07		
327	R61 050 162	G	Frame MR	XL	1	1			KB02J307H01		
328	R61 051 162	G	Frame MR	XL BS		1	1		KB02J307G01		
329	R61 004 118	G	Fan guard		2	2	2	2	KB25A241G01		
330	R61 088 690	G	Piping cover	R2	1	1			KB02L001G05		
331	R61 089 690	G	Piping cover	R2 BS		1	1		KB02L001G06		
332	R61 050 651	G	Panel FU		2	2			KB02B379H01		
333	R63 4H8 651	G	Panel FU	BS		2	2		KB02B379G02		
334	R61 157 651	G	Panel FBL	XL	1	1			KB02J308H01		
335	R61 158 651	G	Panel FBL	XL BS		1	1		KB02J308G02		
336	R63 159 651	G	Panel FBR	XL	1	1			KB02J309H02		
337	R61 160 651	G	Panel FBR	XL BS		1	1		KB02J309G03		
338	R63 004 611	G	Fin guard B		2	2	2	2	KB07T208G01		
339	R61 007 611	G	Fin guard LR		2	2	2	2	KB07C043G03		
340	R63 4H6 140	G	Base fan		4	4			KB02D050H01		
341	R63 4H7 140	G	Base fan	BS		4	4		KB02D050G01		
342	R61 128 220	G	Motor	EEOK-IOTV 920W	2	2	2	2	P780194X01		
343	R63 007 087	G	H Screw	5x10 KNURLED (30pcs)	6	6	6	6	KB00H418G14		
344	R63 4H6 300	G	Fan		2	2	2	2	KB25A009H02		
345	R63 4H6 122	G	Box nut	M12 CH	2	2	2	2	P552000X01		



<To replace parts with the HEX removed>
 Individual replacement of parts 411 , 436 , and 440 is possible.

<To replace parts without the HEX removed> (*1,*3)
 Replace parts 411 , 436 , and 440 with a service pipe assembly 441 (Figure 1).

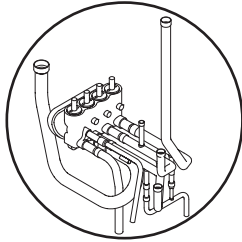
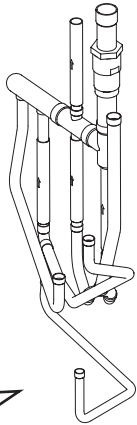


Figure 1

<To replace parts with the HEX removed>
 Individual replacement of parts 409 and 410 is possible.

<To replace parts without the HEX removed> (*1,*5)
 Remove the solenoid valve block assembly (Figure 1), take the check valve assembly (see figure below) out of the unit, and replace parts 409 and 410 with parts 443 . Only one set of 443 is required when replacing multiple check valves.



*1: Refer to the replacement instructions provided with parts 441 and 443 for details.
 *2: A capillary tube assy CP1 and a sheet of replacement instructions are included with Capillary tube assy service parts kits (No. 419, 420).
 *3: A solenoid valve block assy, a connecting pipe, and a sheet of replacement instructions are included with Solenoid valve block service parts kit (No. 441).
 *4: A solenoid valve (SV1a) and a sheet of replacement instructions are included with Solenoid valve service parts kit (No. 442).
 *5: A connecting pipe and a sheet of replacement instructions are included with Service parts with instructions (No. 443).

PURY-P200,P250,P300YJM-A(-BS)
PURY-EP200YJM-A(-BS)

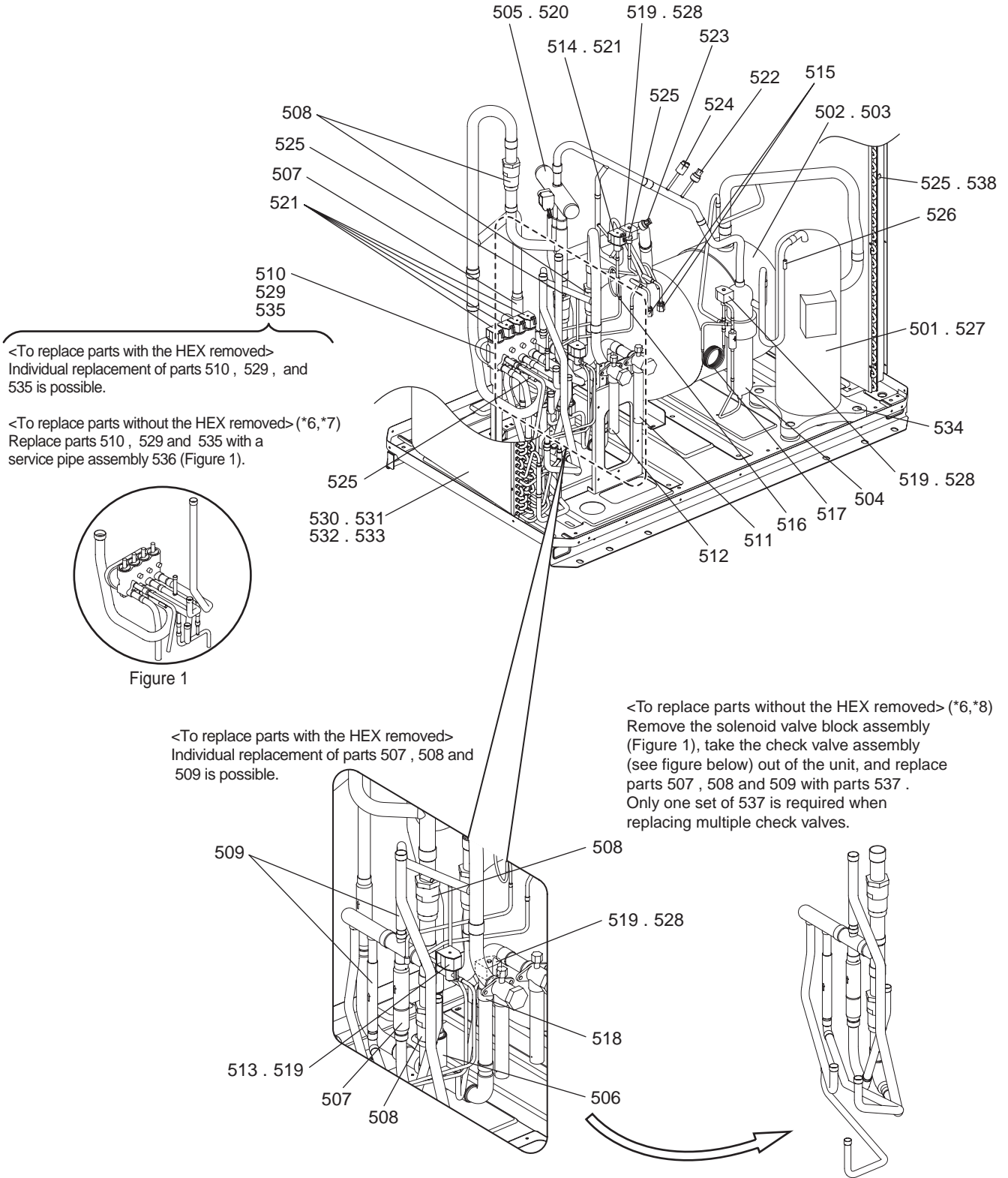
FUNCTIONAL PARTS (1)

No.	Part No.	G : RoHS Apply Only W : RoHS Apply by Running Change		Spec.	PURY-P200YJM-A	PURY-P200YJM-A-BS	PURY-P250YJM-A	PURY-P250YJM-A-BS	PURY-P300YJM-A	PURY-P300YJM-A-BS	Dwg. No.	Notes for the models	Revision info.
			Part Name										
401	R69 068 478	G	Scroll compressor	ENB52FC-YE	1	1	1	1			EP10107B08		
402	R69 070 478	G	Scroll compressor	HNB78FC-YE					1	1	EP10109B08		
403	R61 079 484	G	Accumulator assy		1		1		1		KB54B375G13		
404	R61 080 484	G	Accumulator assy	BS		1		1		1	KB54B375G14		
405	R61 007 487	G	Oil separator assy		1	1	1	1	1	1	KB00L071G01		
406	R63 Y05 154	G	Four way valve	STF-07	1	1	1	1	1	1	P633119X01	<21S4a>	
407	R63 S84 418	G	Check valve block assy		1	1	1	1	1	1	W902879G02	<CV2a>	
408	R61 003 418	G	Check valve	LCVP15-7M	2	2	2	2	2	2	P639180X01	<CV3a, CV5a>	
409	R61 002 418	G	Check valve	YDV-22Y9	2	2	2	2	2	2	P639175X01	<CV4a, CV7a>	
410	R63 R43 418	G	Check valve	BCV-1005	4	4	4	4	4	4	P639165X01	<CV6a, CV8a, CV9a, CV10a>	
411	R61 026 232	G	Valve block assy	3SV	1	1	1	1	1	1	KB00L055G01	<SV4a, SV4b, SV4d>	
412	R61 005 540	G	Valve	VSAMH5SSCM-LA1	1	1					P636344X01	<(HP)BV2>	
413	R61 006 538	G	Valve	VSAMH6SSCM-LA1			1	1	1	1	P636352X01	<(HP)BV2>	
414	R61 001 540	G	Valve	VSAMH7SSCM-A	1	1					P636342X01	<(LP)BV1>	
415	R61 002 540	G	Valve	VSAMH8SSCM-A			1	1	1	1	P636343X01	<(LP)BV1>	
416	R63 027 232	G	Solenoid valve	VPV-L	1	1	1	1	1	1	P631296X01	<SV5b>	
417	R63 Y07 232	G	Solenoid valve	ATS-A	1	1	1	1	1	1	P631291X01	<SV9>	
418	R63 R34 413	G	Check joint L	R410A	2	2	2	2	2	2	P666004X02	<(HP)CJ1, (LP)CJ2>	
419	R61 009 425	G	Capillary tube assy	(service parts kit)	1	1	1	1			KB00H902G20	<CP1>*2	
420	R61 010 425	G	Capillary tube assy	(service parts kit)					1	1	KB00H902G18	<CP1>*2	
421	R61 006 425	G	Capillary tube assy		1	1	1	1			KB49H698G01	<CP2>	
422	R61 008 425	G	Capillary tube assy						1	1	KB49H700G01	<CP2>	
423	R63 4H6 454	G	Strainer	19.05D	1	1					P641133X01	<ST1>	
424	R61 008 454	G	Strainer	25.4D			1	1	1	1	KB48K250G01	<ST1>	
425	R61 006 243	G	Solenoid coil	VPV Y	4	4	4	4	4	4	P472046X01	<SV1a, SV2, SV5b, SV5c>	
426	R63 Y16 243	G	Solenoid coil	STF DV	1	1	1	1	1	1	P472024X01	<21S4a>	
427	R63 Y18 243	G	Solenoid coil		4	4	4	4	4	4	P472012X01	<SV4a, SV4b, SV4d, SV9>	
428	R61 006 288	G	Pressure sensor	HP D173	1	1	1	1	1	1	KB00H904G09	<(HP)63HS1>	
429	R61 007 288	G	Pressure sensor	LP D173	1	1	1	1	1	1	KB00H904G10	<(LP)63LS>	
430	R63 Y11 208	G	Pressure switch	ACB1UB28W	1	1	1	1	1	1	P426320X01	<63H1>	
431	R61 060 200	G	Thermistor		4	4	4	4	4	4	P418065X01	<TH3, TH5, TH6, TH7>	
432	R63 911 202	G	Thermistor		1	1	1	1	1	1	P425416X02	<TH4>	
433	R61 003 237	G	Belt heater	240V 35W	1	1	1	1			P497067X01	<CH11>	
434	R63 Y07 237	G	Belt heater	240V 45W					1	1	P493781X02	<CH11>	
435	R63 P90 232	G	Solenoid valve	VPV-152D	2	2	2	2	2	2	P631277X01	<SV2, SV5c>	
436	R63 6A7 235	G	Solenoid valve	ACS METAL D32	3	3	3	3	3	3	P631310X01	<SV4a, SV4b, SV4d>	
437	R61 458 480	G	Heat exchanger assy	2.5L	1		1		1		KD01G258G01		
438	R61 461 480	G	Heat exchanger assy	2.5L BS		1		1		1	KD01G258G02		
439	R63 852 860	G	Rubber mount	For compressor	4	4	4	4	4	4	W897574H01		
440	R63 6A7 245	G	SV tightening element		1	1	1	1	1	1	W909209G01		
441	R61 032 232	G	SV block service parts kit		1	1	1	1	1	1	KB00H902G12	<SV4a, SV4b, SV4d>*3	
442	R61 033 232	G	SV service parts kit		1	1	1	1	1	1	KB00H902G19	<SV1a>*4	
443	R61 004 151	G	Service parts	(with instructions)	1	1	1	1	1	1	KB00H902G14	<CV4a, CV6a, CV8a, CV9a, CV10a>*5	
444	R61 001 310	G	Sensor holder		1	1	1	1	1	1	KB25B471G02		

PURY-P200,P250,P300YJM-A(-BS)
PURY-EP200YJM-A(-BS)

FUNCTIONAL PARTS (1)

No.	Part No.	G : RoHS Apply Only W : RoHS Apply by Running Change		Spec.	PURY-EP200YJM-A	PURY-EP200YJM-A-BS				Dwg. No.	Notes for the models	Revision info.
			Part Name									
401	R69 068 478	G	Scroll compressor	ENB52FC-YE	1	1				EP10107B08		
402	R69 070 478	G	Scroll compressor	HNB78FC-YE						EP10109B08		
403	R61 079 484	G	Accumulator assy		1					KB54B375G13		
404	R61 080 484	G	Accumulator assy	BS		1				KB54B375G14		
405	R61 007 487	G	Oil separator assy		1	1				KB00L071G01		
406	R63 Y05 154	G	Four way valve	STF-07	1	1				P633119X01	<21S4a>	
407	R63 S84 418	G	Check valve block assy		1	1				W902879G02	<CV2a>	
408	R61 003 418	G	Check valve	LCVP15-7M	2	2				P639180X01	<CV3a, CV5a>	
409	R61 002 418	G	Check valve	YDV-22Y9	2	2				P639175X01	<CV4a, CV7a>	
410	R63 R43 418	G	Check valve	BCV-1005	4	4				P639165X01	<CV6a, CV8a, CV9a, CV10a>	
411	R61 026 232	G	Valve block assy	3SV	1	1				KB00L055G01	<SV4a, SV4b, SV4d>	
412	R61 005 540	G	Valve	VSAMH5SSCM-LA1	1	1				P636344X01	<(HP)BV2>	
413	R61 006 538	G	Valve	VSAMH6SSCM-LA1						P636352X01	<(HP)BV2>	
414	R61 001 540	G	Valve	VSAMH7SSCM-A	1	1				P636342X01	<(LP)BV1>	
415	R61 002 540	G	Valve	VSAMH8SSCM-A						P636343X01	<(LP)BV1>	
416	R63 027 232	G	Solenoid valve	VPV-L	1	1				P631296X01	<SV5b>	
417	R63 Y07 232	G	Solenoid valve	ATS-A	1	1				P631291X01	<SV9>	
418	R63 R34 413	G	Check joint L	R410A	2	2				P666004X02	<(HP)CJ1, (LP)CJ2>	
419	R61 009 425	G	Capillary tube assy	(service parts kit)	1	1				KB00H902G20	<CP1>*2	
420	R61 010 425	G	Capillary tube assy	(service parts kit)						KB00H902G18	<CP1>*2	
421	R61 006 425	G	Capillary tube assy		1	1				KB49H698G01	<CP2>	
422	R61 008 425	G	Capillary tube assy							KB49H700G01	<CP2>	
423	R63 4H6 454	G	Strainer	19.05D	1	1				P641133X01	<ST1>	
424	R61 008 454	G	Strainer	25.4D						KB48K250G01	<ST1>	
425	R61 006 243	G	Solenoid coil	VPV Y	4	4				P472046X01	<SV1a, SV2, SV5b, SV5c>	
426	R63 Y16 243	G	Solenoid coil	STF DV	1	1				P472024X01	<21S4a>	
427	R63 Y18 243	G	Solenoid coil		4	4				P472012X01	<SV4a, SV4b, SV4d, SV9>	
428	R61 006 288	G	Pressure sensor	HP D173	1	1				KB00H904G09	<(HP)63HS1>	
429	R61 007 288	G	Pressure sensor	LP D173	1	1				KB00H904G10	<(LP)63LS>	
430	R63 Y11 208	G	Pressure switch	ACB1UB28W	1	1				P426320X01	<63H1>	
431	R61 060 200	G	Thermistor		4	4				P418065X01	<TH3, TH5, TH6, TH7>	
432	R63 911 202	G	Thermistor		1	1				P425416X02	<TH4>	
433	R61 003 237	G	Belt heater	240V 35W	1	1				P497067X01	<CH11>	
434	R63 Y07 237	G	Belt heater	240V 45W						P493781X02	<CH11>	
435	R63 P90 232	G	Solenoid valve	VPV-152D	2	2				P631277X01	<SV2, SV5c>	
436	R63 6A7 235	G	Solenoid valve	ACS METAL D32	3	3				P631310X01	<SV4a, SV4b, SV4d>	
437	R61 458 480	G	Heat exchanger assy	2.5L	1					KD01G258G01		
438	R61 461 480	G	Heat exchanger assy	2.5L BS		1				KD01G258G02		
439	R63 852 860	G	Rubber mount	For compressor	4	4				W897574H01		
440	R63 6A7 245	G	SV tightening element		1	1				W909209G01		
441	R61 032 232	G	SV block service parts kit		1	1				KB00H902G12	<SV4a, SV4b, SV4d>*3	
442	R61 033 232	G	SV service parts kit		1	1				KB00H902G19	<SV1a>*4	
443	R61 004 151	G	Service parts	(with instructions)	1	1				KB00H902G14	<CV4a, CV6a, CV8a, CV9a, CV10a>*5	
444	R61 001 310	G	Sensor holder		1	1				KB25B471G02		



*6: Refer to the replacement instructions provided with parts 536 and 537 for details.

*7: A solenoid valve block assy, a connecting pipe, and a sheet of replacement instructions are included with Solenoid valve block service parts kit (No. 536).

*8: A connecting pipe and a sheet of replacement instructions are included with Service parts with instructions (No. 537).

PURY-P350,P400YJM-A(-BS)
PURY-EP250,EP300YJM-A(-BS)

FUNCTIONAL PARTS (2)

No.	Part No.	G : RoHS Apply Only W : RoHS Apply by Running Change		Spec.	PURY-P350YJM-A	PURY-P350YJM-A-BS	PURY-P400YJM-A	PURY-P400YJM-A-BS	PURY-EP250YJM-A	PURY-EP250YJM-A-BS	Dwg. No.	Notes for the models	Revision info.
		Part Name											
501	R69 070 478	G	Scroll compressor	HNB78FC-YE	1	1	1	1	1	1	EP10109B08		
502	R61 057 484	G	Accumulator assy		1		1		1		KB54B479G11		
503	R61 058 484	G	Accumulator assy	BS		1		1		1	KB54B479G12		
504	R61 007 487	G	Oil separator assy		1	1	1	1	1	1	KB00L071G01		
505	R63 Y05 154	G	Four way valve	STF-07	1	1	1	1	1	1	P633119X01	<21S4a>	
506	R63 S84 418	G	Check valve block assy		1	1	1	1	1	1	W902879G02	<CV2a>	
507	R61 003 418	G	Check valve	LCVP15-7M	2	2	2	2	2	2	P639180X01	<CV3a, CV9a>	
508	R61 002 418	G	Check valve	YDV-22Y9	4	4	4	4	4	4	P639175X01	<CV4a, CV5a, CV7a, CV8a>	
509	R63 R43 418	G	Check valve	BCV-1005	2	2	2	2	2	2	P639165X01	<CV6a, CV10a>	
510	R61 030 232	G	Valve block assy	4SV	1	1	1	1	1	1	KB00L126G02	<SV4a, SV4b, SV4c, SV4d>	
511	R61 002 540	G	Valve	VSAMH8SSCM-A	1	1	1	1	1	1	P636343X01	<(LP)BV1>	
512	R63 007 538	G	Valve	VSAMH8SSCM-LA1	1	1	1	1	1	1	P636353X01	<(HP)BV2>	
513	R63 027 232	G	Solenoid valve	VPV-L	1	1	1	1	1	1	P631296X01	<SV5b>	
514	R63 Y07 232	G	Solenoid valve	ATS-A	1	1	1	1	1	1	P631291X01	<SV9>	
515	R63 R34 413	G	Check joint L	R410A	2	2	2	2	2	2	P666004X02	<(HP)CJ1, (LP)CJ2>	
516	R61 008 425	G	Capillary tube assy		1	1	1	1	1	1	KB49H700G01	<CP2>	
517	R63 R55 425	G	Capillary tube assy		1	1	1	1	1	1	W905191G02	<CP1>	
518	R61 008 454	G	Strainer	25.4D	1	1	1	1	1	1	KB48K250G01	<ST1>	
519	R61 006 243	G	Solenoid coil	VPV Y	4	4	4	4	4	4	P472046X01	<SV1a, SV2, SV5b, SV5c>	
520	R63 Y16 243	G	Solenoid coil	STF DV	1	1	1	1	1	1	P472024X01	<21S4a>	
521	R63 Y18 243	G	Solenoid coil		5	5	5	5	5	5	P472012X01	<SV4a, SV4b, SV4c, SV4d, SV9>	
522	R61 006 288	G	Pressure sensor	HP D173	1	1	1	1	1	1	KB00H904G09	<(HP)63HS1>	
523	R61 007 288	G	Pressure sensor	LP D173	1	1	1	1	1	1	KB00H904G10	<(LP)63LS>	
524	R63 Y11 208	G	Pressure switch	ACB1UB28W	1	1	1	1	1	1	P426320X01	<63H1>	
525	R61 060 200	G	Thermistor		4	4	4	4	4	4	P418065X01	<TH3, TH5, TH6, TH7>	
526	R63 911 202	G	Thermistor		1	1	1	1	1	1	P425416X02	<TH4>	
527	R63 Y07 237	G	Belt heater	240V 45W	1	1	1	1	1	1	P493781X02	<CH11>	
528	R63 P90 232	G	Solenoid valve	VPV-152D	3	3	3	3	3	3	P631277X01	<SV1a, SV2, SV5c>	
529	R63 6A7 235	G	Solenoid valve	ACS METAL D32	4	4	4	4	4	4	P631310X01	<SV4a, SV4b, SV4c, SV4d>	
530	R61 462 480	G	Heat exchanger assy	3L	1		1				KB01L124G06		
531	R61 464 480	G	Heat exchanger assy	3L BS		1		1			KB01L124G07		
532	R61 465 480	G	Heat exchanger assy	3L					1		KB01T300G05		
533	R61 466 480	G	Heat exchanger assy	3L BS					1		KB01T300G06		
534	R63 852 860	G	Rubber mount	For compressor	4	4	4	4	4	4	W897574H01		
535	R63 6A7 245	G	SV tightening element		1	1	1	1	1	1	W909209G01		
536	R61 044 232	G	SV block service parts kit		1	1	1	1	1	1	KB00H903G07	<SV4a, SV4b, SV4c, SV4d>*7	
537	R61 009 151	G	Service parts	(with instructions)	1	1	1	1	1	1	KB00H903G08	<CV4a, CV6a, CV8a, CV9a, CV10a>*8	
538	R61 001 310	G	Sensor holder		1	1	1	1	1	1	KB25B471G02		

PURY-P350,P400YJM-A(-BS)
PURY-EP250,EP300YJM-A(-BS)

FUNCTIONAL PARTS (2)

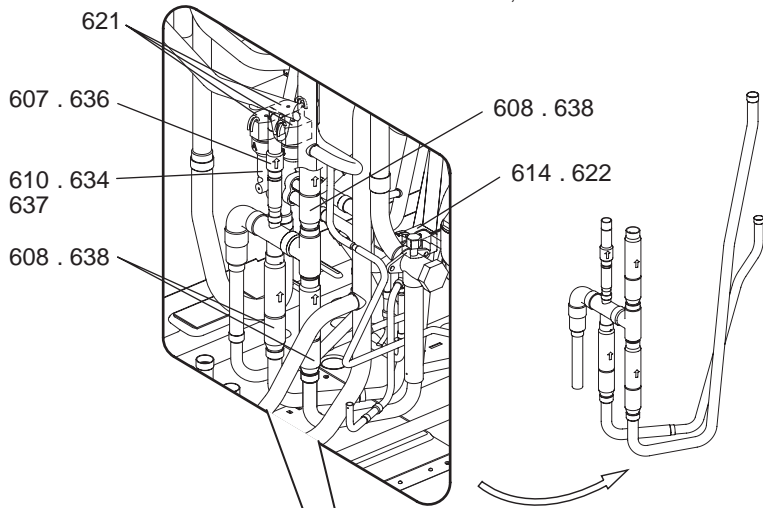
No.	Part No.	G : RoHS Apply Only W : RoHS Apply by Running Change		Spec.	PURY-EP300YJM-A	PURY-EP300YJM-A-BS			Dwg. No.	Notes for the models	Revision info.
		Part Name									
501	R69 070 478	G		Scroll compressor	HNB78FC-YE	1	1			EP10109B08	
502	R61 057 484	G		Accumulator assy		1				KB54B479G11	
503	R61 058 484	G		Accumulator assy	BS		1			KB54B479G12	
504	R61 007 487	G		Oil separator assy		1	1			KB00L071G01	
505	R63 Y05 154	G		Four way valve	STF-07	1	1			P633119X01	<21S4a>
506	R63 S84 418	G		Check valve block assy		1	1			W902879G02	<CV2a>
507	R61 003 418	G		Check valve	LCVP15-7M	2	2			P639180X01	<CV3a,CV9a>
508	R61 002 418	G		Check valve	YDV-22Y9	4	4			P639175X01	<CV4a,CV5a,CV7a,CV8a>
509	R63 R43 418	G		Check valve	BCV-1005	2	2			P639165X01	<CV6a,CV10a>
510	R61 030 232	G		Valve block assy	4SV	1	1			KB00L126G02	<SV4a,SV4b,SV4c,SV4d>
511	R61 002 540	G		Valve	VSAMH8SSCM-A	1	1			P636343X01	<(LP)BV1>
512	R63 007 538	G		Valve	VSAMH8SSCM-LA1	1	1			P636353X01	<(HP)BV2>
513	R63 027 232	G		Solenoid valve	VPV-L	1	1			P631296X01	<SV5b>
514	R63 Y07 232	G		Solenoid valve	ATS-A	1	1			P631291X01	<SV9>
515	R63 R34 413	G		Check joint L	R410A	2	2			P666004X02	<(HP)CJ1,(LP)CJ2>
516	R61 008 425	G		Capillary tube assy		1	1			KB49H700G01	<CP2>
517	R63 R55 425	G		Capillary tube assy		1	1			W905191G02	<CP1>
518	R61 008 454	G		Strainer	25.4D	1	1			KB48K250G01	<ST1>
519	R61 006 243	G		Solenoid coil	VPV Y	4	4			P472046X01	<SV1a,SV2,SV5b,SV5c>
520	R63 Y16 243	G		Solenoid coil	STF DV	1	1			P472024X01	<21S4a>
521	R63 Y18 243	G		Solenoid coil		5	5			P472012X01	<SV4a,SV4b,SV4c,SV4d,SV9>
522	R61 006 288	G		Pressure sensor	HP D173	1	1			KB00H904G09	<(HP)63HS1>
523	R61 007 288	G		Pressure sensor	LP D173	1	1			KB00H904G10	<(LP)63LS>
524	R63 Y11 208	G		Pressure switch	ACB1UB28W	1	1			P426320X01	<63H1>
525	R61 060 200	G		Thermistor		4	4			P418065X01	<TH3,TH5,TH6,TH7>
526	R63 911 202	G		Thermistor		1	1			P425416X02	<TH4>
527	R63 Y07 237	G		Belt heater	240V 45W	1	1			P493781X02	<CH11>
528	R63 P90 232	G		Solenoid valve	VPV-152D	3	3			P631277X01	<SV1a,SV2,SV5c>
529	R63 6A7 235	G		Solenoid valve	ACS METAL D32	4	4			P631310X01	<SV4a,SV4b,SV4c,SV4d>
530	R61 462 480	G		Heat exchanger assy	3L					KB01L124G06	
531	R61 464 480	G		Heat exchanger assy	3L BS					KB01L124G07	
532	R61 465 480	G		Heat exchanger assy	3L	1				KB01T300G05	
533	R61 466 480	G		Heat exchanger assy	3L BS		1			KB01T300G06	
534	R63 852 860	G		Rubber mount	For compressor	4	4			W897574H01	
535	R63 6A7 245	G		SV tightening element		1	1			W909209G01	
536	R61 044 232	G		SV block service parts kit		1	1			KB00H903G07	<SV4a,SV4b,SV4c,SV4d>*7
537	R61 009 151	G		Service parts	(with instructions)	1	1			KB00H903G08	<CV4a,CV6a,CV8a,CV9a,CV10a>*8
538	R61 001 310	G		Sensor holder		1	1			KB25B471G02	

PURY-P450YJM-A(-BS)
 PURY-EP350YJM-A(-BS)

FUNCTIONAL PARTS (3)

<To replace parts with the HEX removed>
 Individual replacement of parts 607 and 608
 is possible.

<To replace parts without the HEX removed> (*9,*11)
 Remove the solenoid valve block assembly
 (Figure 1), take the check valve assembly (see
 figure below) out of the unit, and replace parts
 636 , 638.



<To replace parts with the HEX removed>
 Individual replacement of parts 610 , 634 , and
 637 is possible.

<To replace parts without the HEX removed> (*9,*10)
 Replace parts 610 , 634 , and 637 with a service
 pipe assembly 635 (Figure 1).

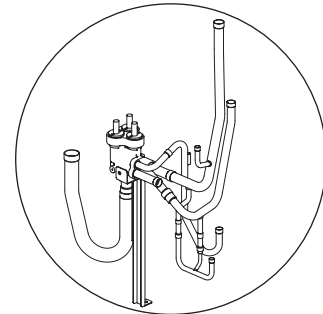
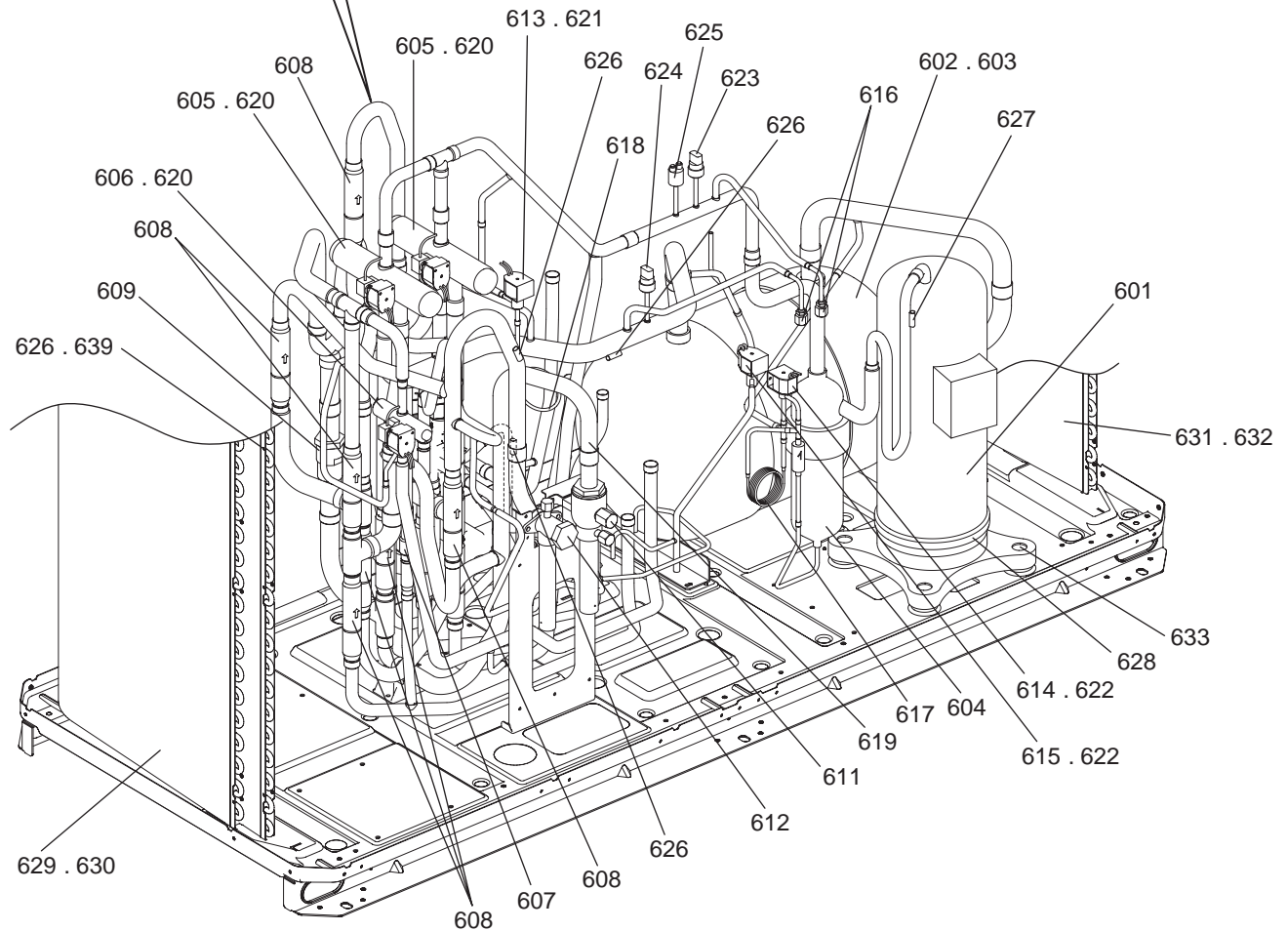


Figure 1



* 9: Refer to the replacement instructions provided with parts 635 , 636 and 638 for details.

*10: A solenoid valve block assy and a sheet of replacement instructions are included with Solenoid valve block service parts kit (No. 635).

*11: A check valve and a sheet of replacement instructions are included with Service parts with instructions (No. 636 , 638).

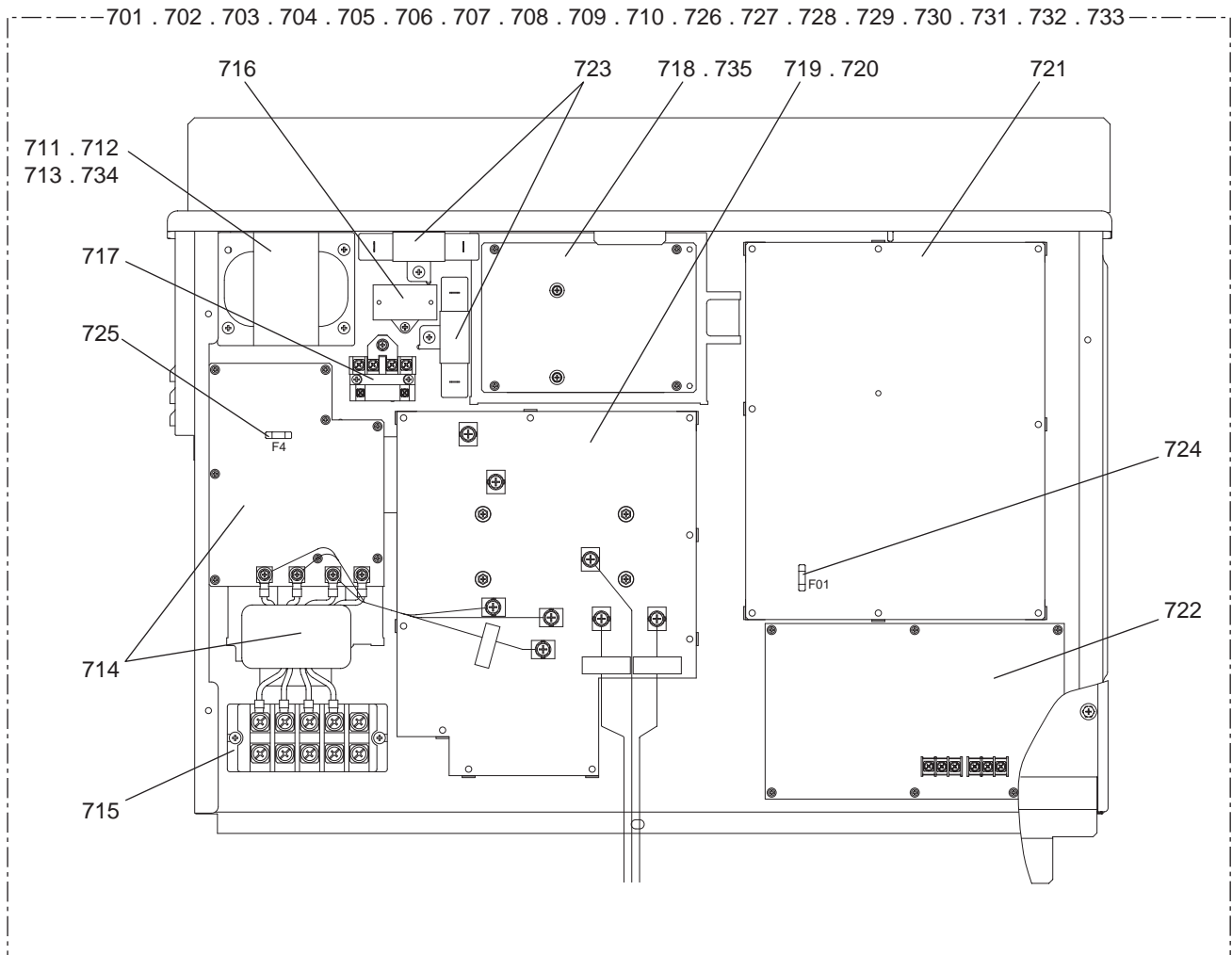
PURY-P450YJM-A(-BS)
PURY-EP350YJM-A(-BS)

FUNCTIONAL PARTS (3)

No.	Part No.	G : RoHS Apply Only W : RoHS Apply by Running Change		Spec.	PURY-P450YJM-A	PURY-P450YJM-A-BS	PURY-EP350YJM-A	PURY-EP350YJM-A-BS	Dwg. No.	Notes for the models	Revision info.
			Part Name								
601	R69 070 478	G	Scroll compressor	HNB78FC-YE	1	1	1	1	EP10109B08		
602	R61 077 484	G	Accumulator assy		1		1		KB54B479G25		
603	R61 078 484	G	Accumulator assy	BS		1		1	KB54B479G26		
604	R61 022 487	G	Oil separator assy		1	1	1	1	KD00C083G01		
605	R63 Y05 154	G	Four way valve	STF-07	2	2	2	2	P633119X01	<21S4a,21S4b>	
606	R61 004 235	G	Two way valve	MHV-1104	1	1	1	1	P637048X01	<SV4c>	
607	R63 R43 418	G	Check valve	BCV-1005	2	2	2	2	P639165X01	<CV6a, CV6b>	
608	R61 003 418	G	Check valve	LCVP15-7M	10	10	10	10	P639180X01	<CV2a, CV2b, CV4a, CV4b, CV5a, CV5b, CV7a, CV7b, CV8a, CV9a>	
609	R61 002 418	G	Check valve	YDV-22Y9	1	1	1	1	P639175X01	<CV3a>	
610	R61 038 232	G	Valve block assy	3SV	1	1	1	1	KB00T028G01	<SV4a, SV4b, SV4d>	
611	R61 009 410	G	Ball valve	JA10YGME	1	1	1	1	P636358X01	<(LP)BV1>	
612	R63 007 538	G	Valve	VSAMH8SSCM-LA1	1	1	1	1	P636353X01	<(HP)BV2>	
613	R63 Y07 232	G	Solenoid valve	ATS-A	1	1	1	1	P631291X01	<SV9>	
614	R63 P90 232	G	Solenoid valve	VPV-152D	2	2	2	2	P631277X01	<SV1a, SV5c>	
615	R63 027 232	G	Solenoid valve	VPV-L	1	1	1	1	P631296X01	<SV5b>	
616	R63 R34 413	G	Check joint L	R410A	2	2	2	2	P666004X02	<(HP)CJ1, (LP)CJ2>	
617	R63 R55 425	G	Capillary tube assy		1	1	1	1	W905191G02	<CP1>	
618	R61 008 425	G	Capillary tube assy		1	1	1	1	KB49H700G01	<CP2>	
619	R61 008 454	G	Strainer	25.4D	1	1	1	1	KB48K250G01	<ST1>	
620	R63 Y16 243	G	Solenoid coil	STF DV	3	3	3	3	P472024X01	<21S4a,21S4b,SV4c>	
621	R63 Y18 243	G	Solenoid coil		4	4	4	4	P472012X01	<SV4a,SV4b,SV4d,SV9>	
622	R61 006 243	G	Solenoid coil	VPV Y	3	3	3	3	P472046X01	<SV1a,SV5b,SV5c>	
623	R63 026 288	G	Pressure sensor	HP D173	1	1	1	1	KB00H904G11	<(HP)63HS1>	
624	R63 027 288	G	Pressure sensor	LP D173	1	1	1	1	KB00H904G12	<(LP)63LS>	
625	R63 Y11 208	G	Pressure switch	ACB1UB28W	1	1	1	1	P426320X01	<63H1>	
626	R61 060 200	G	Thermistor		4	4	4	4	P418065X01	<TH3, TH5, TH6, TH7>	
627	R63 911 202	G	Thermistor		1	1	1	1	P425416X02	<TH4>	
628	R63 Y07 237	G	Belt heater	240V 45W	1	1	1	1	P493781X02	<CH11>	
629	R61 418 480	G	Heat exchanger assy	2L L	1		1		KD01C172G01		
630	R61 420 480	G	Heat exchanger assy	2L L BS		1		1	KD01C172G02		
631	R61 421 480	G	Heat exchanger assy	2L R	1		1		KD01C173G01		
632	R61 424 480	G	Heat exchanger assy	2L R BS		1		1	KD01C173G02		
633	R63 852 860	G	Rubber mount	For compressor	4	4	4	4	W897574H01		
634	R63 6A7 245	G	SV tightening element		1	1	1	1	W909209G01		
635	R61 045 232	G	SV block service parts kit		1	1	1	1	KB00S879G04	*10	
636	R61 010 151	G	Service parts	(with instructions)	1	1	1	1	KB00S879G05	<CV6a>*11	
637	R63 6A7 235	G	Solenoid valve	ACS METAL D32	3	3	3	3	P631310X01	<SV4a,SV4b,SV4d>	
638	R61 011 151	G	Service parts	(with instructions)	3	3	3	3	KB00S879G06	<CV4a, CV8a, CV9a>*11	
639	R61 001 310	G	Sensor holder		1	1	1	1	KB25B471G02		

PURY-P200,P250,P300YJM-A(-BS)
PURY-P350,P400,P450YJM-A(-BS)
PURY-EP200,EP250,EP300,EP350YJM-A(-BS)

CONTROL BOX PARTS



PURY-P200,P250,P300YJM-A(-BS)
 PURY-P350,P400,P450YJM-A(-BS)
 PURY-EP200,EP250,EP300,EP350YJM-A(-BS)

CONTROL BOX PARTS

No.	Part No.	G : RoHS Apply Only W : RoHS Apply by Running Change		Spec.	PURY-P200YJM-A	PURY-P200YJM-A-BS	PURY-P250YJM-A	PURY-P250YJM-A-BS	PURY-P300YJM-A	PURY-P300YJM-A-BS	Dwg. No.	Notes for the models	Revision info.
		Part Name											
701	R61 359 305	G	Control box	R-P250YJM			1				KE80C390G37		
702	R61 360 305	G	Control box	R-P250 BS			1				KE80C390G38		
703	R61 361 305	G	Control box	R-P300YJM					1		KE80C390G39		
704	R61 362 305	G	Control box	R-P300 BS						1	KE80C390G40		
705	R61 367 305	G	Control box	R-P400YJM							KE80C390G45		
706	R61 368 305	G	Control box	R-P400 BS							KE80C390G46		
707	R61 357 305	G	Control box	R-EP200YJM							KE80C390G35		
708	R61 358 305	G	Control box	R-EP200 BS							KE80C390G36		
709	R61 365 305	G	Control box	R-EP300YJM							KE80C390G43		
710	R61 366 305	G	Control box	R-EP300 BS							KE80C390G44		
711	R61 010 259	G	Reactor				1	1			P715439X02	<DCL>	
712	R61 011 259	G	Reactor						1	1	P715440X02	<DCL>	
713	R61 012 259	G	Reactor								P715441X02	<DCL>	
714	R61 015 293	G	Noise filter		1	1	1	1	1	1	KE80C155G05	<Noise Filter,L>	
715	R61 007 246	G	Terminal block		1	1	1	1	1	1	S436005H12	<TB1>	
716	R61 001 255	G	Capacitor assy		1	1	1	1	1	1	KE00D263G01	<C100>	
717	R61 003 216	G	Relay		1	1	1	1	1	1	P421295X01	<72C>	
718	R61 037 280	G	FAN board		1	1	1	1	1	1	W652171G07		
719	R61 154 280	G	INV board		1	1	1	1			KE80C154G09		
720	R61 155 280	G	INV board						1	1	KE80C154G10		
721	R61 059 281	G	Control board		1	1	1	1	1	1	KE80C153G69		
722	R61 012 281	G	M-NET board		1	1	1	1	1	1	KE80C055G03		
723	R61 001 234	G	Resistor		2	2	2	2	2	2	P411151X01	<R1,R5>	
724	R61 005 239	G	Fuse	3.15A AC250V T	1	1	1	1	1	1	S423001H39		
725	R61 006 239	G	Fuse	6.3A AC250V T	1	1	1	1	1	1	S423001H42		
726	R61 355 305	G	Control box	R-P200YJM	1						KE80C390G33		
727	R61 356 305	G	Control box	R-P200 BS		1					KE80C390G34		
728	R61 363 305	G	Control box	R-EP250YJM							KE80C390G41		
729	R61 364 305	G	Control box	R-EP250 BS							KE80C390G42		
730	R61 369 305	G	Control box	R-EP350YJM							KE80C390G47		
731	R61 370 305	G	Control box	R-EP350 BS							KE80C390G48		
732	R61 371 305	G	Control box	R-P450YJM							KE80C390G49		
733	R61 372 305	G	Control box	R-P450 BS							KE80C390G50		
734	R61 017 259	G	Reactor		1	1					P715458X01	<DCL>	
735	R63 044 281	G	FAN board								W652171G09		

PURY-P200,P250,P300YJM-A(-BS)
 PURY-P350,P400,P450YJM-A(-BS)
 PURY-EP200,EP250,EP300,EP350YJM-A(-BS)

CONTROL BOX PARTS

No.	Part No.	G : RoHS Apply Only W : RoHS Apply by Running Change	Part Name	Spec.	PURY-P350YJM-A	PURY-P350YJM-A-BS	PURY-P400YJM-A	PURY-P400YJM-A-BS	PURY-P450YJM-A	PURY-P450YJM-A-BS	Dwg. No.	Notes for the models	Revision info.
701	R61 359 305	G	Control box	R-P250YJM							KE80C390G37		
702	R61 360 305	G	Control box	R-P250 BS							KE80C390G38		
703	R61 361 305	G	Control box	R-P300YJM							KE80C390G39		
704	R61 362 305	G	Control box	R-P300 BS							KE80C390G40		
705	R61 367 305	G	Control box	R-P400YJM	1		1				KE80C390G45		
706	R61 368 305	G	Control box	R-P400 BS		1		1			KE80C390G46		
707	R61 357 305	G	Control box	R-EP200YJM							KE80C390G35		
708	R61 358 305	G	Control box	R-EP200 BS							KE80C390G36		
709	R61 365 305	G	Control box	R-EP300YJM							KE80C390G43		
710	R61 366 305	G	Control box	R-EP300 BS							KE80C390G44		
711	R61 010 259	G	Reactor								P715439X02	<DCL>	
712	R61 011 259	G	Reactor								P715440X02	<DCL>	
713	R61 012 259	G	Reactor		1	1	1	1	1	1	P715441X02	<DCL>	
714	R61 015 293	G	Noise filter		1	1	1	1	1	1	KE80C155G05	<Noise Filter,L>	
715	R61 007 246	G	Terminal block		1	1	1	1	1	1	S436005H12	<TB1>	
716	R61 001 255	G	Capacitor assy		1	1	1	1	1	1	KE00D263G01	<C100>	
717	R61 003 216	G	Relay		1	1	1	1	1	1	P421295X01	<72C>	
718	R61 037 280	G	FAN board		1	1	1	1			W652171G07		
719	R61 154 280	G	INV board								KE80C154G09		
720	R61 155 280	G	INV board		1	1	1	1	1	1	KE80C154G10		
721	R61 059 281	G	Control board		1	1	1	1	1	1	KE80C153G69		
722	R61 012 281	G	M-NET board		1	1	1	1	1	1	KE80C055G03		
723	R61 001 234	G	Resistor		2	2	2	2	2	2	P411151X01	<R1,R5>	
724	R61 005 239	G	Fuse	3.15A AC250V T	1	1	1	1	1	1	S423001H39		
725	R61 006 239	G	Fuse	6.3A AC250V T	1	1	1	1	1	1	S423001H42		
726	R61 355 305	G	Control box	R-P200YJM							KE80C390G33		
727	R61 356 305	G	Control box	R-P200 BS							KE80C390G34		
728	R61 363 305	G	Control box	R-EP250YJM							KE80C390G41		
729	R61 364 305	G	Control box	R-EP250 BS							KE80C390G42		
730	R61 369 305	G	Control box	R-EP350YJM							KE80C390G47		
731	R61 370 305	G	Control box	R-EP350 BS							KE80C390G48		
732	R61 371 305	G	Control box	R-P450YJM						1	KE80C390G49		
733	R61 372 305	G	Control box	R-P450 BS						1	KE80C390G50		
734	R61 017 259	G	Reactor								P715458X01	<DCL>	
735	R63 044 281	G	FAN board						1	1	W652171G09		

PURY-P200,P250,P300YJM-A(-BS)
 PURY-P350,P400,P450YJM-A(-BS)
 PURY-EP200,EP250,EP300,EP350YJM-A(-BS)

CONTROL BOX PARTS

No.	Part No.	G : RoHS Apply Only W : RoHS Apply by Running Change		Spec.	PURY-EP200YJM-A	PURY-EP200YJM-A-BS	PURY-EP250YJM-A	PURY-EP250YJM-A-BS	PURY-EP300YJM-A	PURY-EP300YJM-A-BS	Dwg. No.	Notes for the models	Revision info.
		Part Name											
701	R61 359 305	G	Control box	R-P250YJM							KE80C390G37		
702	R61 360 305	G	Control box	R-P250 BS							KE80C390G38		
703	R61 361 305	G	Control box	R-P300YJM							KE80C390G39		
704	R61 362 305	G	Control box	R-P300 BS							KE80C390G40		
705	R61 367 305	G	Control box	R-P400YJM							KE80C390G45		
706	R61 368 305	G	Control box	R-P400 BS							KE80C390G46		
707	R61 357 305	G	Control box	R-EP200YJM	1						KE80C390G35		
708	R61 358 305	G	Control box	R-EP200 BS		1					KE80C390G36		
709	R61 365 305	G	Control box	R-EP300YJM					1		KE80C390G43		
710	R61 366 305	G	Control box	R-EP300 BS						1	KE80C390G44		
711	R61 010 259	G	Reactor				1	1			P715439X02	<DCL>	
712	R61 011 259	G	Reactor						1	1	P715440X02	<DCL>	
713	R61 012 259	G	Reactor								P715441X02	<DCL>	
714	R61 015 293	G	Noise filter		1	1	1	1	1	1	KE80C155G05	<Noise Filter,L>	
715	R61 007 246	G	Terminal block		1	1	1	1	1	1	S436005H12	<TB1>	
716	R61 001 255	G	Capacitor assy		1	1	1	1	1	1	KE00D263G01	<C100>	
717	R61 003 216	G	Relay		1	1	1	1	1	1	P421295X01	<72C>	
718	R61 037 280	G	FAN board		1	1	1	1	1	1	W652171G07		
719	R61 154 280	G	INV board		1	1					KE80C154G09		
720	R61 155 280	G	INV board				1	1	1	1	KE80C154G10		
721	R61 059 281	G	Control board		1	1	1	1	1	1	KE80C153G69		
722	R61 012 281	G	M-NET board		1	1	1	1	1	1	KE80C055G03		
723	R61 001 234	G	Resistor		2	2	2	2	2	2	P411151X01	<R1,R5>	
724	R61 005 239	G	Fuse	3.15A AC250V T	1	1	1	1	1	1	S423001H39		
725	R61 006 239	G	Fuse	6.3A AC250V T	1	1	1	1	1	1	S423001H42		
726	R61 355 305	G	Control box	R-P200YJM							KE80C390G33		
727	R61 356 305	G	Control box	R-P200 BS							KE80C390G34		
728	R61 363 305	G	Control box	R-EP250YJM			1				KE80C390G41		
729	R61 364 305	G	Control box	R-EP250 BS				1			KE80C390G42		
730	R61 369 305	G	Control box	R-EP350YJM							KE80C390G47		
731	R61 370 305	G	Control box	R-EP350 BS							KE80C390G48		
732	R61 371 305	G	Control box	R-P450YJM							KE80C390G49		
733	R61 372 305	G	Control box	R-P450 BS							KE80C390G50		
734	R61 017 259	G	Reactor		1	1					P715458X01	<DCL>	
735	R63 044 281	G	FAN board								W652171G09		

PURY-P200,P250,P300YJM-A(-BS)
 PURY-P350,P400,P450YJM-A(-BS)
 PURY-EP200,EP250,EP300,EP350YJM-A(-BS)

CONTROL BOX PARTS

No.	Part No.	G : RoHS Apply Only W : RoHS Apply by Running Change		Spec.	PURY-EP350YJM-A	PURY-EP350YJM-ABS				Dwg. No.	Notes for the models	Revision info.
		Part Name										
701	R61 359 305	G	Control box	R-P250YJM						KE80C390G37		
702	R61 360 305	G	Control box	R-P250 BS						KE80C390G38		
703	R61 361 305	G	Control box	R-P300YJM						KE80C390G39		
704	R61 362 305	G	Control box	R-P300 BS						KE80C390G40		
705	R61 367 305	G	Control box	R-P400YJM						KE80C390G45		
706	R61 368 305	G	Control box	R-P400 BS						KE80C390G46		
707	R61 357 305	G	Control box	R-EP200YJM						KE80C390G35		
708	R61 358 305	G	Control box	R-EP200 BS						KE80C390G36		
709	R61 365 305	G	Control box	R-EP300YJM						KE80C390G43		
710	R61 366 305	G	Control box	R-EP300 BS						KE80C390G44		
711	R61 010 259	G	Reactor							P715439X02	<DCL>	
712	R61 011 259	G	Reactor							P715440X02	<DCL>	
713	R61 012 259	G	Reactor		1	1				P715441X02	<DCL>	
714	R61 015 293	G	Noise filter		1	1				KE80C155G05	<Noise Filter,L>	
715	R61 007 246	G	Terminal block		1	1				S436005H12	<TB1>	
716	R61 001 255	G	Capacitor assy		1	1				KE00D263G01	<C100>	
717	R61 003 216	G	Relay		1	1				P421295X01	<72C>	
718	R61 037 280	G	FAN board							W652171G07		
719	R61 154 280	G	INV board							KE80C154G09		
720	R61 155 280	G	INV board		1	1				KE80C154G10		
721	R61 059 281	G	Control board		1	1				KE80C153G69		
722	R61 012 281	G	M-NET board		1	1				KE80C055G03		
723	R61 001 234	G	Resistor		2	2				P411151X01	<R1,R5>	
724	R61 005 239	G	Fuse	3.15A AC250V T	1	1				S423001H39		
725	R61 006 239	G	Fuse	6.3A AC250V T	1	1				S423001H42		
726	R61 355 305	G	Control box	R-P200YJM						KE80C390G33		
727	R61 356 305	G	Control box	R-P200 BS						KE80C390G34		
728	R61 363 305	G	Control box	R-EP250YJM						KE80C390G41		
729	R61 364 305	G	Control box	R-EP250 BS						KE80C390G42		
730	R61 369 305	G	Control box	R-EP350YJM	1					KE80C390G47		
731	R61 370 305	G	Control box	R-EP350 BS		1				KE80C390G48		
732	R61 371 305	G	Control box	R-P450YJM						KE80C390G49		
733	R61 372 305	G	Control box	R-P450 BS						KE80C390G50		
734	R61 017 259	G	Reactor							P715458X01	<DCL>	
735	R63 044 281	G	FAN board		1	1				W652171G09		

